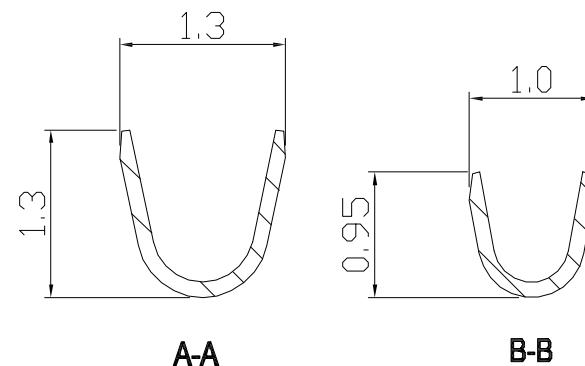
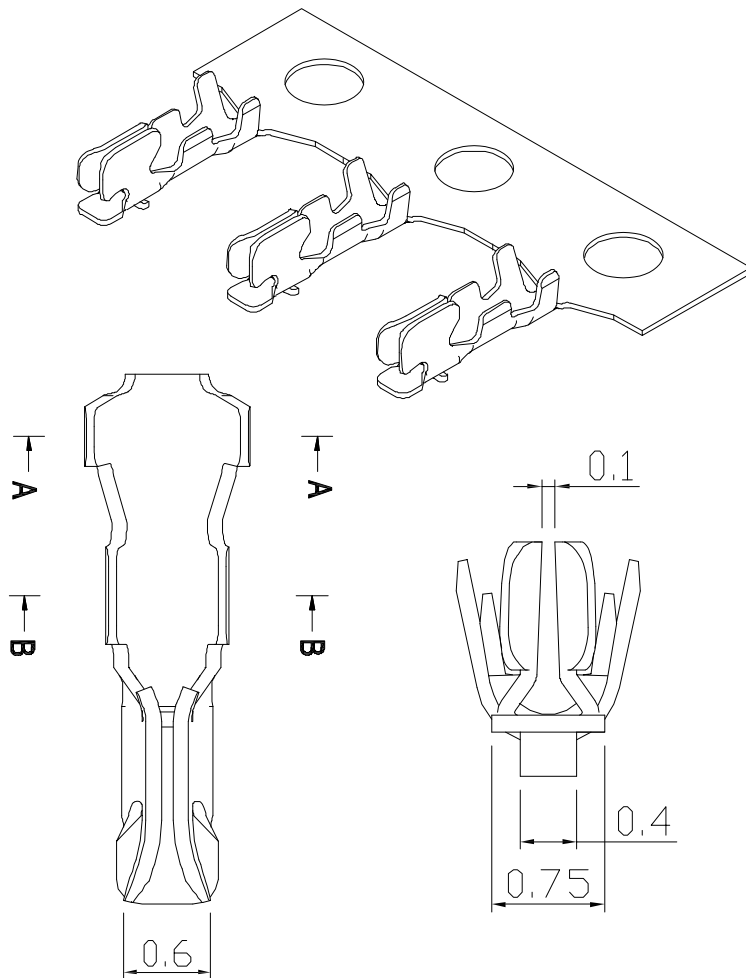
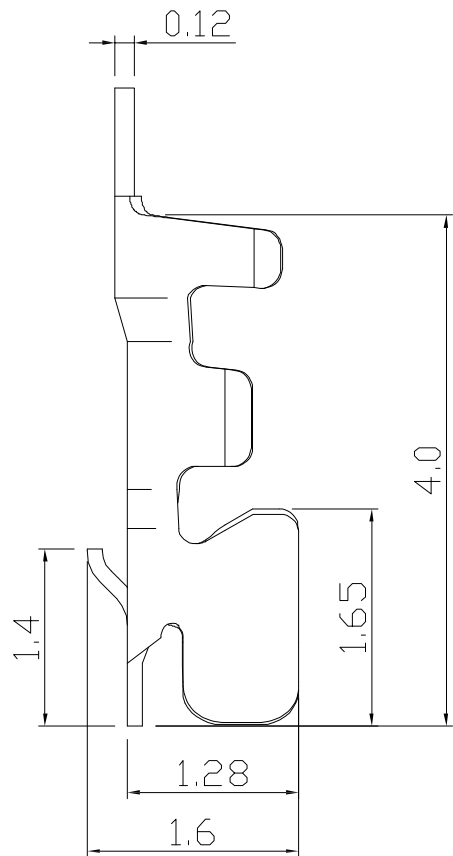


环保物料

主要技术参数  
Main Specifications

线数 (poles): 2 to 30P or 20/30/40/50P  
 额定电流 (Current rating): 1.0A AC, DC  
 额定电压 (Voltage rating): 50V AC, DC  
 温度范围 (Temperature range): -25°C to +85°C  
 接触电阻 (Contact resistance):  $\leq 20m\Omega$   
 绝缘电阻 (Insulation resistance):  $\geq 100M\Omega$   
 耐电压 (Withstand voltage): 500V AC/minute  
 适用线规 (Applicable wire): AWG #32 to #28



1	Phos Bronze tin 磷青铜镀锡	T11B	15000PCS/Roll (1盘)
序号	料号	材料	附注

GENERAL TOLERANCES		SCALE: 1:1	NAME	DATE	康导新能源 网址: www.dgconne.com 电话: 0769-85337633 邮箱: 2850175988@qq.com 传真: 0769-85392827	PART. NO:	21006T2		
LINEAR	ANGLES	APPROVED	黎腾	2017.06.16		DWG. NO:			
0.00±0.35	X° REF±6°	DESIGNER	肖坤权	2017.06.16		REV:	A0	SHEET:	1/1
0.00±0.25	X° ±3°	DRAWN	旷淇	2017.06.16		TITLE: 1.0mm PITCH TERMINAL			
REV.	REVISION RECORD	DATE	UNIT: MM	SIZE: A4	0.000±0.15	X° X'±2°			