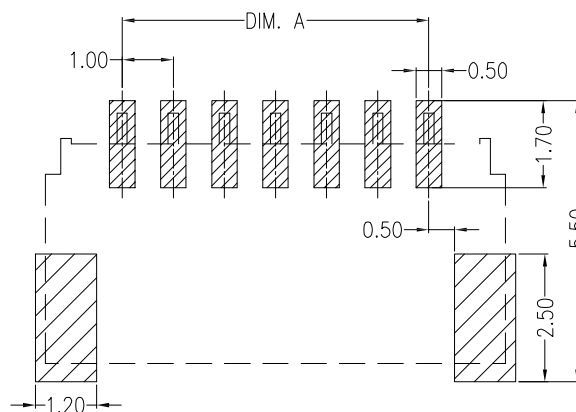
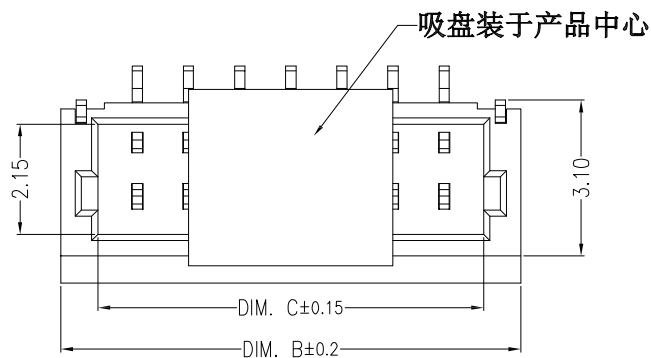
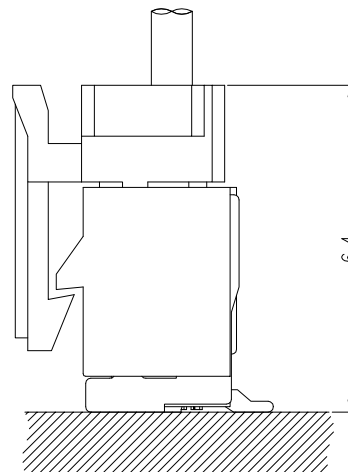
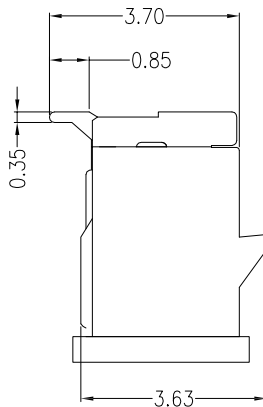
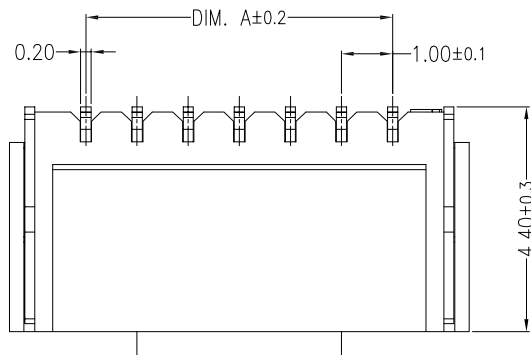


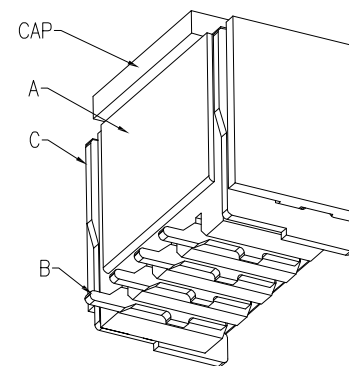
环保物料

主要技术参数 Main Specifications

线 数 (Poles): 02 to 20
 接触电阻 (Contact resistance): $\leq 20m\Omega$
 绝缘电阻 (Insulation resistance): $\geq 100M\Omega$
 额定电压 (Rated voltage): 50V AC DC
 额定电流 (Rated current): 0.5A AC DC
 耐 电 压 (Withstand Voltage): 500V AC/minute
 温度范围 (Temperature Range): $-25^{\circ}C \sim +105^{\circ}C$



Recommend PCB Layout



Circuit	Dimensions (mm)		
	DIM. A	DIM. B	DIM. C
02	1.00	4.00	2.45
03	2.00	5.00	3.45
04	3.00	6.00	4.45
05	4.00	7.00	5.45
06	5.00	8.00	6.45
07	6.00	9.00	7.45
08	7.00	10.00	8.45
09	8.00	11.00	9.45
10	9.00	12.00	10.45
11	10.00	13.00	11.45
12	11.00	14.00	12.45
13	12.00	15.00	13.45
14	13.00	16.00	14.45
15	14.00	17.00	15.45
16	15.00	18.00	16.45
20	19.00	22.00	20.45

C	Solder Tab	2 PCS	PhosphorBronze	MATTE Sn-plated
B	CONTACT	2~20PCS	PhosphorBronze	MATTE Sn-plated
A	PEDESTAL	1 PCS	LCP	UL 94V-0, COLOR:BEIGE
ITEM	COMPONENT	Q'TY	MATERIAL	FINISH

GENERAL TOLERANCES		SCALE: 1:1	NAME	DATE
LINEAR	ANGLES			
0.0±0.35	X° REF±6°	APPROVED	黎腾	2017.06.16
0.00±0.25	X° ±3°	DESIGNER	肖坤权	2017.06.16
0.000±0.15	X° X'±2°	DRAWN	旷淇	2017.06.16

康导新能源
 网址: www.dgconne.com 电话: 0769-85337633
 邮箱: 2850175988@qq.com 传真: 0769-8539282

PART. NO:	21002AWV	
DWG. NO:		
REV:	A0	SHEET: 1/1