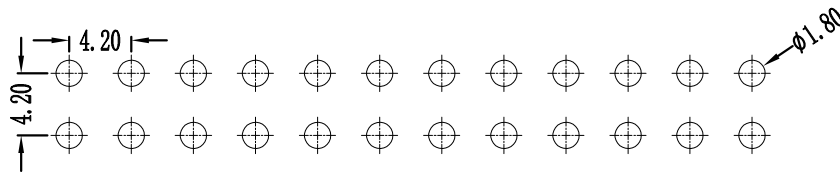
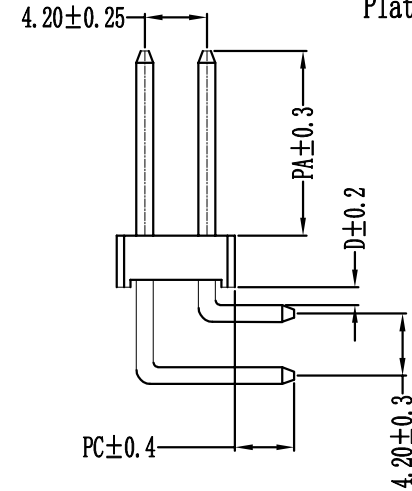
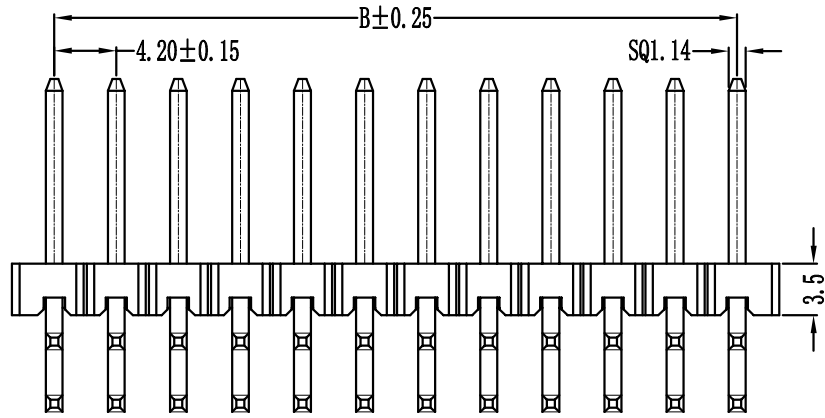
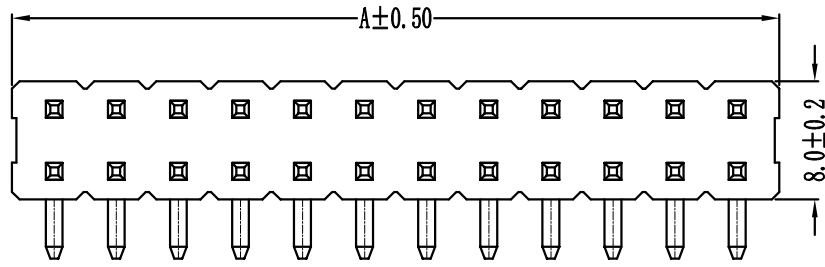


# 环保物料

Pin数	尺寸A	尺寸B
2×1	4.70	-
2×2	8.90	4.20
2×3	13.10	8.40
2×4	17.30	12.60
2×5	21.50	16.80
2×6	25.70	21.00
2×7	29.90	25.20
2×8	34.10	29.40
2×9	38.30	33.60
2×10	42.50	37.80
2×11	46.70	42.00
2×12	50.90	46.20
2×13	55.10	50.40
2×14	59.30	54.60
2×15	63.50	58.80
2×16	67.70	63.00
2×17	71.90	67.20
2×18	76.10	71.40
2×19	80.30	75.60
2×20	84.50	79.80



PCB LAYOUT

## Specification:

Current Rating : 7AMP  
 Temperature Range :  $-40^{\circ}\text{C}$  to  $+105^{\circ}\text{C}$   
 Contact Resistance :  $20\text{m}\Omega$  Max  
 Insulation Resistance :  $1000\text{M}\Omega$  Min  
 Withstanding Voltage : AC 1000V  
 Material:

Insulator : Polyester (UL94V-0)  
 Standard: PA9T/PBT

Contact: Brass

Plating : Au or Sn Over  $50\mu\text{Ni}$

		GENERAL TOLERANCES		SCALE:	NAME	DATE	康导新能源	PART. NO: KDPH-0128
		LINEAR	ANGLES	1:1	黎腾	2022. 11. 3		
		$0.0 \pm 0.25$	$X^{\circ} \text{ REF} \pm 6^{\circ}$	APPROVED	肖坤权	2022. 11. 3	网址: www.dgconne.com 电话: 0768-85337633	DWG. NO: ENDE0128
A0	新图面发行	2022. 11. 3	UNIT: MM	DESIGNER	黄薇	2022. 11. 3	邮箱: 2850175886@qq.com 传真: 0768-85382827	REV: A0 SHEET: 1/1
REV.	REVISION RECORD	DATE	SIZE: A4	DRAWN			TITLE: Pitch4.20mm Pin Header, Single Plastic, Dual Row, Right Angle Type	